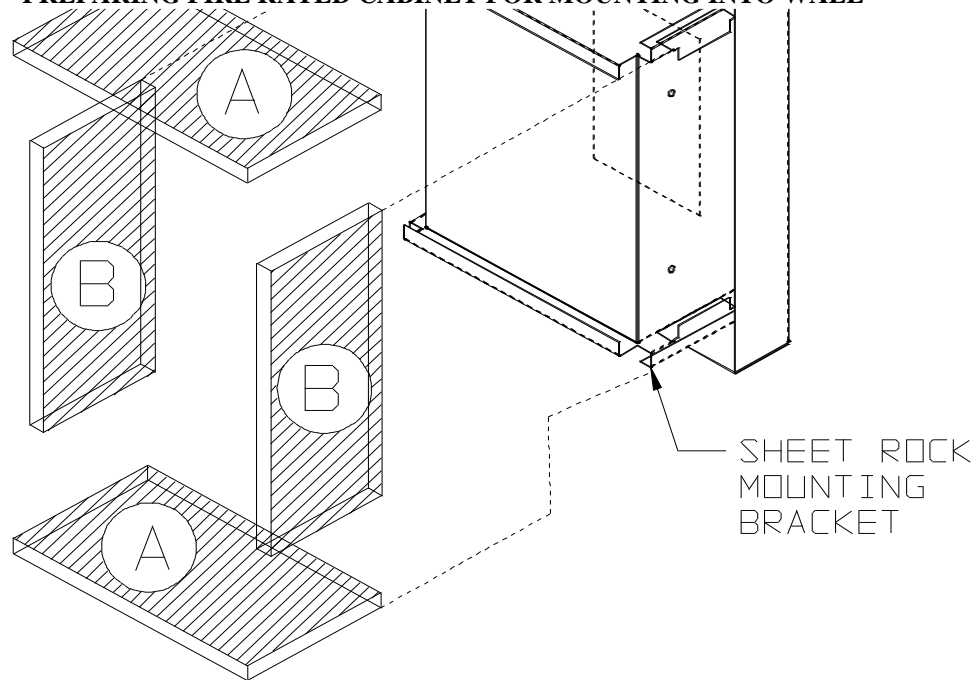


FIRE RATED AED CABINET-INSTALLATION INSTRUCTIONS

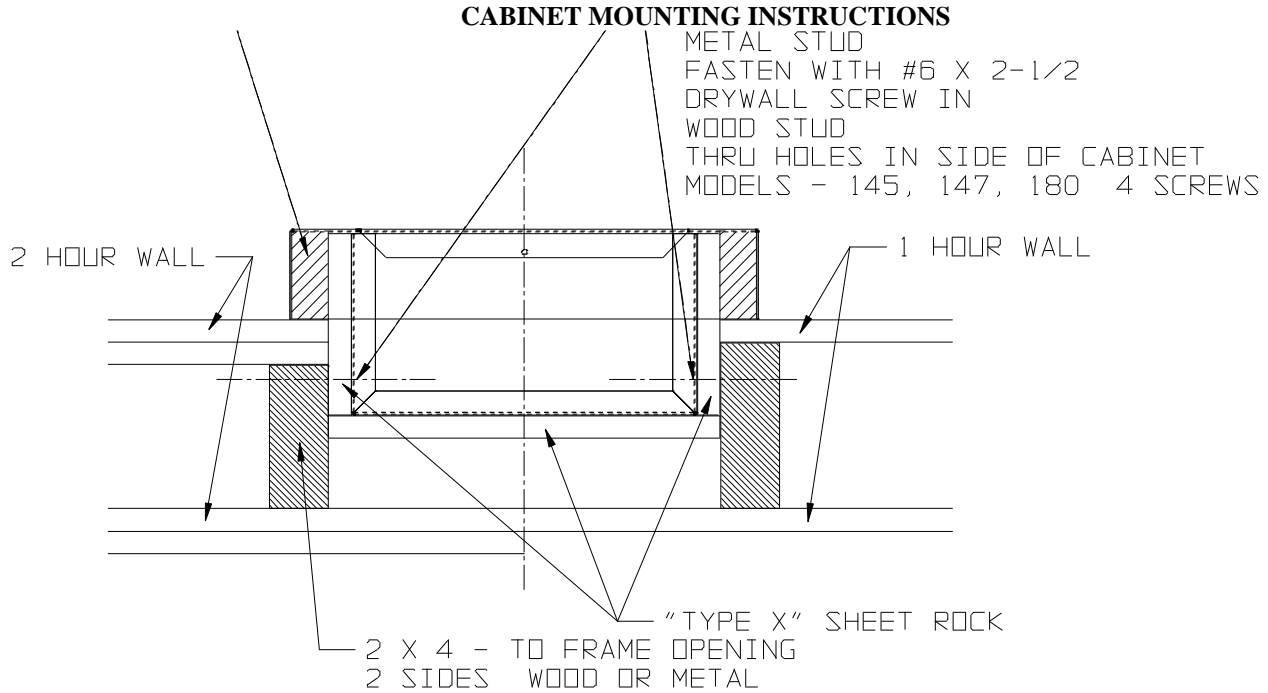
PREPARING FIRE RATED CABINET FOR MOUNTING INTO WALL



- 1) REMOVE CABINET FROM CARTON. SHEETROCK MOUNTING BRACKETS HAVE BEEN INSTALLED AT THE FACTORY.
- 2) USING TYPE "X" 5/8 SHEETROCK CUT SIZE CORRESPONDING TO CABINET.

	2 PC. "A"	2 PC. "B"	1 PC. "C"	
143	3-1/4 X 13	2-1/2 X 11-1/8	13	X 11-1/8
145	5-1/4 X 13	4-1/2 X 11-1/8	13	X 11-1/8
147	7 X 13	6-1/4 X 11-1/8	13	X 11-1/8
180	7 X 15-1/2	6-1/4 X 14-1/8	15-1/2	X 14-1/8

- 3) INSERT 2 PC. "A" INTO BRACKET AT TOP & BOTTOM OF CABINET.
- 4) INSERT 2 PC. "B" INTO BRACKET AT EACH SIDE OF CABINET.
- 5) INSERT 1 PC. "C" INTO BRACKET FROM SIDE OF CABINET.
- 6) FILL VOID INSIDE TRIM WITH 4 PCF MINERAL WOOL. OVERFILL SLIGHTLY SO MINERAL WOOL COMPRESSES SLIGHTLY WHEN CABINET IS INSTALLED. IT IS IMPORTANT THAT MINERAL WOOL IS IN CONTACT WITH THE WALL.



- 1) THE FOLLOWING ARE CABINET MOUNTING INSTRUCTIONS AFTER PREPARING FIRE RATED CABINET FOR MOUNTING INTO WALL ARE COMPLETED.
- 2) SELECT THE WALL OPENING SIZE** FOR THE CABINET BEING INSTALLED.
 1/8" GAP MAXIMUM BETWEEN CABINET & WALLBOARD.

CABINET MODEL	WALL OPENING		MINIMUM WALL DEPTH		
	WIDTH**	HEIGHT**	R-1	SR-2	SR-3
143	13-1/4	12-3/4	3-1/4		
145	13-1/4	12-3/4	5-1/4		3-1/8
147	13-1/4	12-3/4	7		4-7/8
180	16	16	7	5-7/8	4-7/8

- 3) FRAME OPENING IN SHEETROCK WITH WOOD OR METAL STUDS ON VERTICAL SIDES.
- 4) INSERT THE CABINET INTO THE WALL OPENING.
- 5) FASTEN CABINET INTO OPENING. NOTE FASTENER SPECIFICATIONS.